



STANDARD FEATURES

- 4" thick, 20 gauge aluminized panels insulated with 4lb. density mineral wool, and perforated grooved seams
- Gas-fired 25:1 turn-down process heater for precise control
- UL508A industrial control panel with optional remote HMI touchscreen user interface
- Welded formed steel product doors and heavy-duty hinges with bearings
- 12 gauge aluminized cold formed sheet steel frames, no field welding required
- TEFC premium efficiency 3-phase motors
- Mixed airflow with filtered supply air
- Superior temperature uniformity

INDUSTRIES FOR BATCH OVEN HIGH TEMPERATURE



Aerospace & Defense



Manufacturing & Industrial



Automotive



Transit Bus & Rail



Heavy Equipment & Fleet Refinish

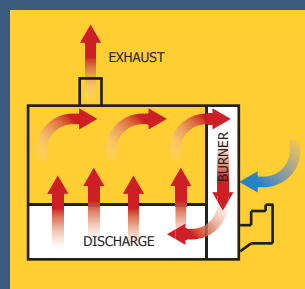


Marine



Gun & Knife

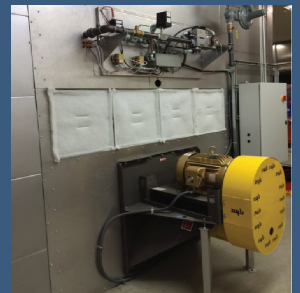
Rohner Batch Powder and Batch Liquid Ovens offer an economical, modular heat technology solution for your preheating, baking, curing and drying needs. Whether you are curing aerospace parts at 200° or powder coated parts at 450°, we pre engineered designs to minimize lead times and maximize cost value.



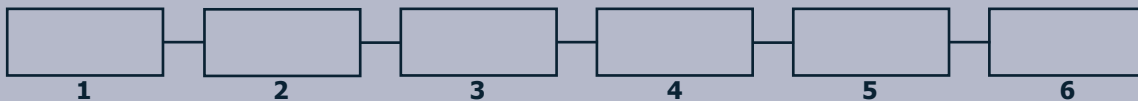
MIXED AIRFLOW



OPTIONAL REMOTE HMI PANEL



FILTERED INTAKE AIR



1 SERIES	2 WIDTH	3 HEIGHT	4 DEPTH	5 ENTRY	6 BURNER
CBOHT: Catalog Batch Oven High Temp CBOLT: Catalog Batch Oven Low Temp	6: 6'-0" Working Width 8: 8'-0" Working Width 10: 10'-0" Working Width 12: 12'-0" Working Width	6.5: 6'-6" Working Height (not available for 6' wide) 9: 9'-0" Working Height 11: 11'-0" Working Height 13: 13'-0" Working Height	10 to 40: 10'-0" to 40'-0" Working Depth in 1' increments	SE: Single Entry DE: Dual Entry (not available for rear mount burner)	R: Rear Mount Burner T: Top Mount Burner (not available for 10' depth)

BATCH OVEN HIGH TEMP (325°F-450°F)

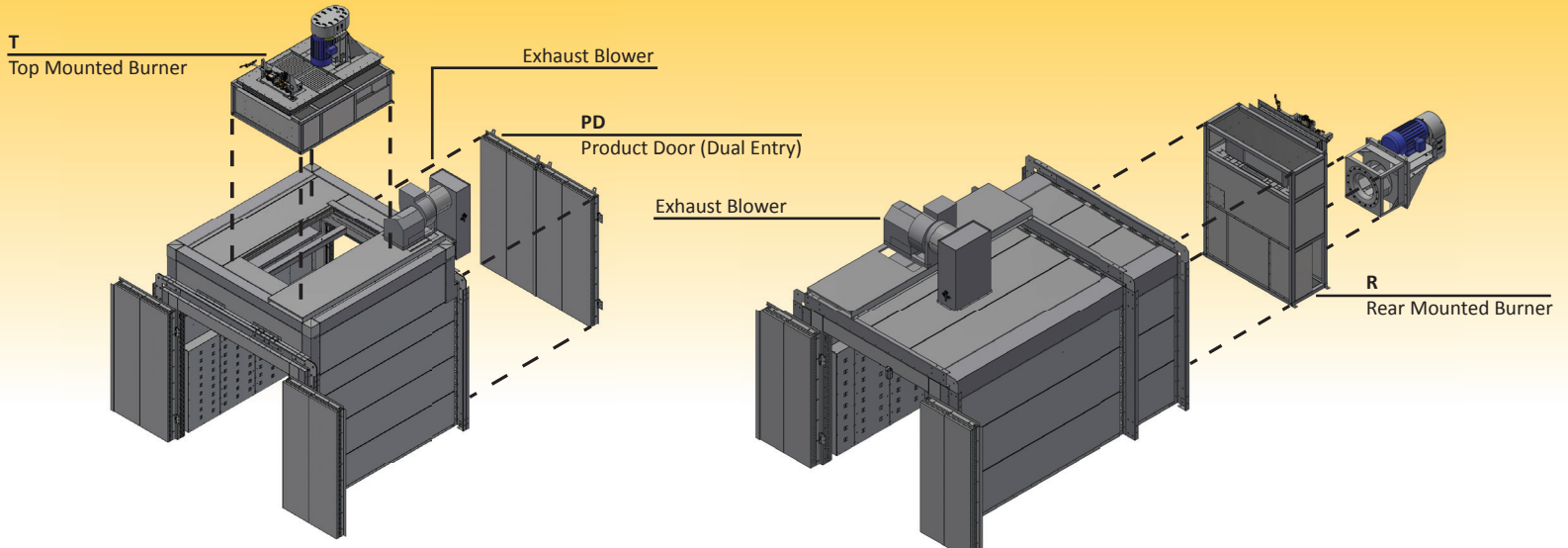
BATCH OVEN LOW TEMP (200°F-325°F)



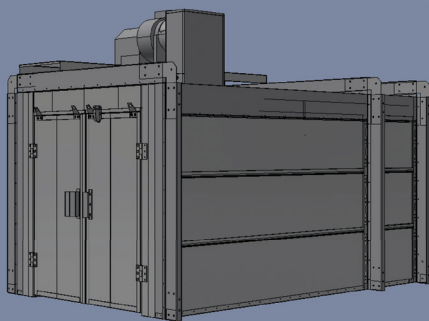
MODEL #	Working Dim. (WD)			Door Clear (WxH)	Overall Dim. (OD)			Top Mount Burner (T)	Burner Size (kBtu)	Recirc. Fan (CFM)	Recirc. Fan (HP)	Air Turns	Exh. Fan (CFM)	Exh. HP Powder	
	W	H	D		W	H	D								
6'-0" Wide															
CBOHT-6-6.5-10-***	6'-0"	6'-6"	10'-0"	6' x 6'-6"	9'-5"	8'-0"	15'-3"	TOP MOUNT NOT OFFERED IN 10'	1000	2400	3	6.2	1200	1	
CBOHT-6-6.5-15-***	6'-0"	6'-6"	15'-0"	6' x 6'-6"	9'-5"	8'-0"	20'-3"	12'-7"	16'-2"	1000	3600	5	6.2	1200	1
CBOHT-6-6.5-20-***	6'-0"	6'-6"	20'-0"	6' x 6'-6"	9'-5"	8'-0"	25'-3"	12'-7"	21'-2"	1000	3600	5	4.6	1200	1
CBOHT-6-6.5-25-***	6'-0"	6'-6"	25'-0"	6' x 6'-6"	9'-5"	8'-0"	30'-9"	13'-0"	26'-2"	1000	5200	5	5.3	1200	1
CBOHT-6-6.5-30-***	6'-0"	6'-6"	30'-0"	6' x 6'-6"	9'-5"	8'-0"	35'-9"	13'-0"	31'-2"	1000	5200	5	4.4	1200	1
CBOHT-6-6.5-35-***	6'-0"	6'-6"	35'-0"	6' x 6'-6"	9'-5"	8'-0"	40'-9"	13'-0"	36'-2"	1000	6400	5	4.7	1200	1
CBOHT-6-6.5-40-***	6'-0"	6'-6"	40'-0"	6' x 6'-6"	9'-5"	8'-0"	45'-9"	13'-0"	41'-2"	1000	6400	5	4.1	1200	1
CBOHT-6-9-10-***	6'-0"	9'-0"	10'-0"	6' x 9'-0"	9'-5"	10'-2"	15'-3"	TOP MOUNT NOT OFFERED IN 10'	1000	3600	5	6.7	1200	1	
CBOHT-6-9-15-***	6'-0"	9'-0"	15'-0"	6' x 9'-0"	9'-5"	10'-2"	20'-9"	15'-3"	16'-2"	1000	5200	5	6.4	1200	1
CBOHT-6-9-20-***	6'-0"	9'-0"	20'-0"	6' x 9'-0"	9'-5"	10'-2"	25'-9"	15'-3"	21'-2"	1000	6400	5	5.9	1200	1
CBOHT-6-9-25-***	6'-0"	9'-0"	25'-0"	6' x 9'-0"	9'-5"	10'-2"	30'-9"	15'-3"	26'-2"	1000	6400	5	4.7	1200	1
CBOHT-6-9-30-***	6'-0"	9'-0"	30'-0"	6' x 9'-0"	9'-5"	10'-2"	35'-9"	15'-3"	31'-2"	1000	6400	5	4.0	1200	1
CBOHT-6-11-10-***	6'-0"	11'-0"	10'-0"	6' x 11'-0"	9'-5"	12'-5"	15'-3"	TOP MOUNT NOT OFFERED IN 10'	1000	3600	5	5.5	1200	1	
CBOHT-6-11-15-***	6'-0"	11'-0"	15'-0"	6' x 11'-0"	9'-5"	12'-5"	20'-9"	17'-5"	16'-2"	1000	5200	5	5.3	1200	1
CBOHT-6-11-20-***	6'-0"	11'-0"	20'-0"	6' x 11'-0"	9'-5"	12'-5"	25'-9"	17'-5"	21'-2"	1000	5200	5	3.9	1200	1
CBOHT-6-11-25-***	6'-0"	11'-0"	25'-0"	6' x 11'-0"	9'-5"	12'-5"	30'-9"	17'-5"	26'-2"	1000	6400	5	3.9	1200	1
CBOHT-6-13-10-***	6'-0"	13'-0"	10'-0"	6' x 13'-0"	9'-5"	14'-7"	15'-3"	TOP MOUNT NOT OFFERED IN 10'	1000	3600	5	4.6	1200	1	
CBOHT-6-13-15-***	6'-0"	13'-0"	15'-0"	6' x 13'-0"	9'-5"	14'-7"	20'-9"	19'-7"	16'-2"	1000	5200	5	4.4	1200	1
CBOHT-6-13-20-***	6'-0"	13'-0"	20'-0"	6' x 13'-0"	9'-5"	14'-7"	25'-9"	19'-7"	21'-2"	1000	6400	5	4.1	1200	1
8'-0" Wide															
CBOHT-8-6.5-10-***	8'-0"	6'-6"	10'-0"	8' x 6'-6"	11'-7"	8'-0"	15'-3"	TOP MOUNT NOT OFFERED IN 10'	1000	3600	5	6.9	1200	1	
CBOHT-8-6.5-15-***	8'-0"	6'-6"	15'-0"	8' x 6'-6"	11'-7"	8'-0"	20'-3"	12'-7"	16'-2"	1000	3600	5	4.6	1200	1
CBOHT-8-6.5-20-***	8'-0"	6'-6"	20'-0"	8' x 6'-6"	11'-7"	8'-0"	25'-9"	13'-0"	21'-2"	1000	5200	5	5.0	1200	1
CBOHT-8-6.5-25-***	8'-0"	6'-6"	25'-0"	8' x 6'-6"	11'-7"	8'-0"	30'-9"	13'-0"	26'-2"	1000	6400	5	4.9	1200	1
CBOHT-8-6.5-30-***	8'-0"	6'-6"	30'-0"	8' x 6'-6"	11'-7"	8'-0"	36'-7"	13'-10"	31'-2"	1500	9600	10	6.2	1800	1
CBOHT-8-6.5-35-***	8'-0"	6'-6"	35'-0"	8' x 6'-6"	11'-7"	8'-0"	41'-7"	13'-10"	36'-2"	1500	9600	10	5.3	1800	1
CBOHT-8-6.5-40-***	8'-0"	6'-6"	40'-0"	8' x 6'-6"	11'-7"	8'-0"	46'-7"	13'-10"	41'-2"	1500	9600	10	4.6	1800	1
CBOHT-8-9-10-***	8'-0"	9'-0"	10'-0"	8' x 9'-0"	11'-7"	10'-2"	15'-3"	TOP MOUNT NOT OFFERED IN 10'	1000	3600	5	5.0	1200	1	
CBOHT-8-9-15-***	8'-0"	9'-0"	15'-0"	8' x 9'-0"	11'-7"	10'-2"	20'-9"	15'-3"	16'-2"	1000	5200	5	4.8	1200	1
CBOHT-8-9-20-***	8'-0"	9'-0"	20'-0"	8' x 9'-0"	11'-7"	10'-2"	25'-9"	15'-3"	21'-2"	1000	6400	5	4.4	1200	1
CBOHT-8-9-25-***	8'-0"	9'-0"	25'-0"	8' x 9'-0"	11'-7"	10'-2"	31'-7"	16'-1"	26'-1"	1500	9600	10	5.3	1800	1
CBOHT-8-9-30-***	8'-0"	9'-0"	30'-0"	8' x 9'-0"	11'-7"	10'-2"	36'-7"	16'-1"	31'-1"	1500	9600	10	4.4	1800	1
CBOHT-8-9-35-***	8'-0"	9'-0"	35'-0"	8' x 9'-0"	11'-7"	10'-2"	41'-11"	16'-5"	36'-2"	1500	12000	10	4.8	1800	1
CBOHT-8-9-40-***	8'-0"	9'-0"	40'-0"	8' x 9'-0"	11'-7"	10'-2"	46'-11"	16'-5"	41'-2"	1500	14000	15	4.9	1800	1
CBOHT-8-11-10-***	8'-0"	11'-0"	10'-0"	8' x 11'-0"	11'-7"	12'-5"	15'-3"	TOP MOUNT NOT OFFERED IN 10'	1000	3600	5	4.1	1200	1	
CBOHT-8-11-15-***	8'-0"	11'-0"	15'-0"	8' x 11'-0"	11'-7"	12'-5"	20'-11"	17'-5"	16'-2"	1000	6400	5	4.8	1200	1
CBOHT-8-11-20-***	8'-0"	11'-0"	20'-0"	8' x 11'-0"	11'-7"	12'-5"	26'-7"	18'-3"	21'-2"	1500	9600	10	5.5	1800	1
CBOHT-8-11-25-***	8'-0"	11'-0"	25'-0"	8' x 11'-0"	11'-7"	12'-5"	31'-7"	18'-3"	26'-2"	1500	9600	10	4.4	1800	1
CBOHT-8-11-30-***	8'-0"	11'-0"	30'-0"	8' x 11'-0"	11'-7"	12'-5"	36'-11"	18'-8"	31'-2"	1500	12000	10	4.5	1800	1
CBOHT-8-11-35-***	8'-0"	11'-0"	35'-0"	8' x 11'-0"	11'-7"	12'-5"	41'-11"	18'-8"	36'-2"	1500	14000	15	4.5	1800	1
CBOHT-8-11-40-***	8'-0"	11'-0"	40'-0"	8' x 11'-0"	11'-7"	12'-5"	46'-11"	18'-8"	41'-2"	1500	14000	15	4.0	1800	1
CBOHT-8-13-10-***	8'-0"	13'-0"	10'-0"	8' x 13'-0"	11'-11"	14'-9"	15'-11"	TOP MOUNT NOT OFFERED IN 10'	1000	3600	5	5.0	1200	1	
CBOHT-8-13-15-***	8'-0"	13'-0"	15'-0"	8' x 13'-0"	11'-11"	14'-9"	20'-9"	19'-7"	16'-2"	1000	6400	5	4.1	1200	1
CBOHT-8-13-20-***	8'-0"	13'-0"	20'-0"	8' x 13'-0"	11'-11"	14'-9"	26'-7"	20'-5"	21'-2"	1500	9600	10	4.6	1800	1
CBOHT-8-13-25-***	8'-0"	13'-0"	25'-0"	8' x 13'-0"	11'-11"	14'-9"	31'-11"	20'-10"	26'-2"	1500	12000	10	4.6	1800	1
CBOHT-8-13-30-***	8'-0"	13'-0"	30'-0"	8' x 13'-0"	11'-11"	14'-9"	36'-11"	20'-10"	31'-2"	1500	14000	15	4.5	1800	1
CBOHT-8-13-35-***	8'-0"	13'-0"	35'-0"	8' x 13'-0"	11'-11"	14'-9"	41'-11"	20'-10"	36'-2"	1500	14000	15	3.8	1800	1
CBOHT-8-13-40-***	8'-0"	13'-0"	40'-0"	8' x 13'-0"	11'-11"	14'-9"	46'-11"	20'-10"	41'-2"	1500	14000	15	3.4	1800	1
10'-0" Wide															
CBOHT-10-6.5-10-***	10'-0"	6'-6"	10'-0"	10' x 6'-6"	13'-10"	8'-0"	15'-3"	TOP MOUNT NOT OFFERED IN 10'	1000	3600	5	5.5	1200	1	
CBOHT-10-6.5-15-***	10'-0"	6'-6"	15'-0"	10' x 6'-6"	13'-10"	8'-0"	20'-9"	13'-0"	16'-2"	1000	5200	5	5.3	1200	1
CBOHT-10-6.5-20-***	10'-0"	6'-6"	20'-0"	10' x 6'-6"	13'-10"	8'-0"	25'-9"	13'-0"	21'-2"	1000	5200	5	4.0	1200	1
CBOHT-10-6.5-25-***	10'-0"	6'-6"	25'-0"	10' x 6'-6"	13'-10"	8'-0"	30'-9"	13'-0"	26'-2"	1000	6400	5	3.9	1200	1
CBOHT-10-6.5-30-***	10'-0"	6'-6"	30'-0"	10' x 6'-6"	13'-10"	8'-0"	36'-7"	13'-10"	31'-2"	1500	9600	10	4.9	1800	1
CBOHT-10-6.5-35-***	10'-0"	6'-6"	35'-0"	10' x 6'-6"	13'-10"	8'-0"	41'-7"	13'-10"	36'-2"	1500	9600	10	4.2	1800	1
CBOHT-10-6.5-40-***	10'-0"	6'-6"	40'-0"	10' x 6'-6"	13'-10"	8'-0"	46'-7"	14'-3"	41'-2"	1500	12000	10	4.6	1800	1
CBOHT-10-9-10-***	10'-0"	9'-0"	10'-0"	10' x 9'-0"	13'-10"	10'-2"	15'-3"	TOP MOUNT NOT OFFERED IN 10'	1000	3600	5	4.0	1200	1	
CBOHT-10-9-15-***	10'-0"	9'-0"	15'-0"	10' x 9'-0"	13'-10"	10'-2"	20'-9"	15'-3"	16'-2"	1000	5200	5	3.9	1200	1
CBOHT-10-9-20-***	10'-0"	9'-0"	20'-0"	10' x 9'-0"	13'-10"	10'-2"	26'-7"	16'-1"	21'-2"	1500	9600	10	5.3	1800	1
CBOHT-10-9-25-***	10'-0"	9'-0"	25'-0"	10' x 9'-0"	13'-10"	10'-2"	31'-7"	16'-1"	26'-1"	1500	9600	10	4.3	1800	1
CBOHT-10-9-30-***	10'-0"	9'-0"	30'-0"	10' x 9'-0"	13'-10"	10'-2"	36'-11"	16'-5"	31'-1"	1500	12000	10	4.4	1800	1
CBOHT-10-9-35-***	10'-0"	9'-0"	35'-0"	10' x 9'-0"	13'-10"	10'-2"	41'-11"	16'-5"	36'-2"	1500	12000	10	3.8	1800	1
CBOHT-10-9-40-***	10'-0"	9'-0"	40'-0"	10' x 9'-0"	13'-10"	10'-2"	46'-11"	16'-5"	41'-2"	1500	14000	15	3.9	1800	1
CBOHT-10-11-10-***	10'-0"	11'-0"	10'-0"	10' x 11'-0"	13'-10"	12'-5"	15'-9"	TOP MOUNT NOT OFFERED IN 10'	1000	3600	5	4.7	1200	1	
CBOHT-10-11-15-***	10'-0"	11'-0"	15'-0"	10' x 11'-0"	13'-10"	12'-5"	20'-9"	17'-5"	16'-2"	1000	6400	5	3.9	1200	1
CBOHT-10-11-20-***	10'-0"	11'-0"	20'-0"	10' x 11'-0"	13'-10"	12'-5"	26'-7"	18'-3"	21'-2"	1500	9600	10	4.4	1800	1
CBOHT-10-11-25-***	10'-0"	11'-0"	25'-0"	10' x 11'-0"	13'-10"	12'-5"	31'-11"	18'-8"	26'-2"	1500	12000	10	4.4	1800	1
CBOHT-10-11-30-***	10'-0"	11'-0"	30'-0"	10' x 11'-0"	13'-10"	12'-5"	36'-11"	18'-8"	31'-2"	1500	14000	15	4.2	1800	1
CBOHT-10-11-35-***	10'-0"	11'-0"	35'-0"	10' x 11'-0"	13'-10"	12'-5"	41'-2"	18'-10"	36'-2"	1500	17000	15	4.4	1800	1
CBOHT-10-11-40-***	10'-0"	11'-0"	40'-0"	10' x 11'-0"	13'-10"	12'-5"	47'-2"	18'-10"	41'-2"	1500	17000	15	3.9	1800	1
CBOHT-10-13-10-***	10'-0"	13'-0"	10'-0"	10' x 13'-0"	14'-2"	14'-9"	15'-9"	TOP MOUNT NOT OFFERED IN 10'	1000	3600	5	4.9	1200	1	
CBOHT-10-13-15-***	10'-0"	13'-0"	15'-0"	10' x 13'-0"	14'-2"	14'-9"	21'-7"	20'-5"	16'-2"	1500	9600	10	4.9	1800	1
CBOHT-10-13-20-***	10'-0"	13'-0"	20'-0"	10' x 13'-0"	14'-2"	14'-9"	26'-7"	20'-5"	21'-2"	1500	9600	10	3.7	1800	1
CBOHT-10-13-25-***	10'-0"	13'-0"	25'-0"	10' x 13'-0"	14'-2"	14'-9"	31'-11"	20'-10"	26'-2"	1500	12000	10	3.7	1800	1
CBOHT-10-13-30-***	10'-0"	13'-0"	30'-0"	10' x 13'-0"	14'-2"	14'-9"	37'-2"	21'-0"	31'-2"	1500	17000	15	4.4	1800	1
CBOHT-10-13-35-***	10'-0"	13'-0"	35'-0"	10' x 13'-0"	14'-2"	14'-9"	42'-2"	21'-0"	36'-2"	1500	17000	15	3.7	1800	1
CBOHT-10-13-40-***	10'-0"	13'-0"	40'-0"	10' x 13'-0"	14'-2"	14'-9"	47'-2"	21'-0"	41'-2"	1500	20000	20	3.8	2400	1
12'-0" Wide															
CBOHT-12-9-10-***	12'-0"	9'-0"	10'-0"	12' x 9'-0"	16'-0"	10'-2"	15'-9"	TOP MOUNT NOT OFFERED IN 10'	1000	3600	5	4.8	1200	1	
CBOHT-12-9-15-***	12'-0"	9'-0"	15'-0"	12' x 9'-0"	16'-0"	10'-2"	20'-9"	15'-3"	16'-2"	1000	5200	5	4.0	1200	1
CBOHT-12-9-20-***	12'-0"	9'-0"	20'-0"	12' x 9'-0"	16'-0"	10'-2"	26'-7"	16'-1"	21'-2"	1500	9600	10	4.4	1800	1
CBOHT-12-9-25-***	12'-														

BATCH OVEN SPECIFICATIONS

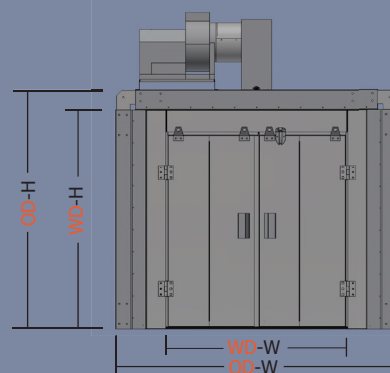
BOHT DIAGRAM



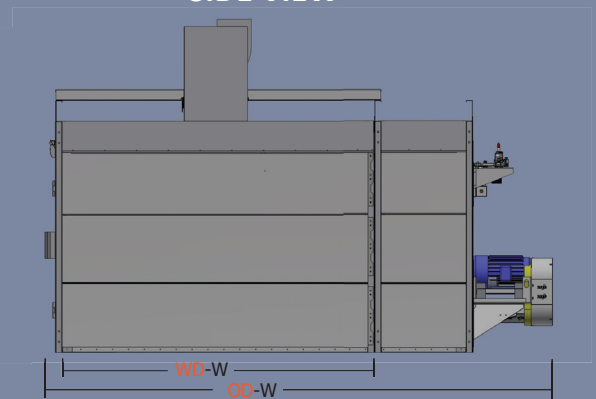
PERSPECTIVE VIEW



FRONT VIEW



SIDE VIEW



NOTE: Overall height of rear mounted burner model is to top of structure and excludes height of exhaust blower

SAFETY STANDARDS

A single 800° Class II industrial plug-blower provides circulation and combustion air resulting in reduced energy and maintenance costs. Rohner Batch Ovens are designed to meet or exceed NFPA86 standards, and their gas trains meet FM insurance requirements. Consult your local authority having jurisdiction for additional requirements before purchasing.

Specifications and designs are subject to change, and substitutions without notice are at the manufacturer's sole discretion. Customer is responsible for determining the suitability of the equipment for its intended use. Additional equipment or modifications may be required to meet local building and process-specific regulatory codes and are the responsibility of the Customer.



www.rohnerspraybooths.com
info@rohner-usa.com
888-885-7641