



### STANDARD FEATURES

- Baffled exhaust plenum with moisture eliminating mesh filters
- Aluminum mesh intake filters
- UL listed moisture rated light fixtures.
- UL 508 listed control panel
- Non-fused service disconnect
- NEMA 12 Industrial Enclosure
- Motor protection
- 12" containment
- Auto Booth Pressure/Velocity Control

### INDUSTRIES FOR MANUAL WASH ENCLOSURE



Aerospace  
& Defense



Manufacturing  
& Industrial



Automotive



Heavy Equipment  
& Fleet Refinish

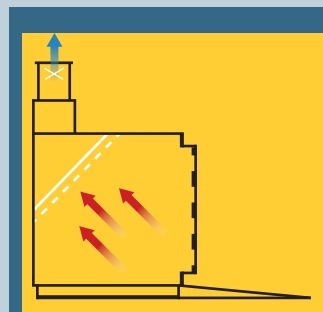


Marine

Rohner Manual Wash Enclosures provide a complete containment solution for your parts cleaning needs.

Manual Wash Enclosures protect the environment from harsh cleaning chemicals that are common to cleaning and pretreatment processes found in many paint shops. The sloped drain pan contains chemical process solutions.

Enclosures are designed to offer years of trouble free service. Additional safety equipment may become necessary, for further safety information consult your E.H.S. professional prior to disposal.



MOISTURE ELIMINATING  
ROOM VENTILATION



Baffled Exhaust Plenum



Raised & Grated  
Containment Floor

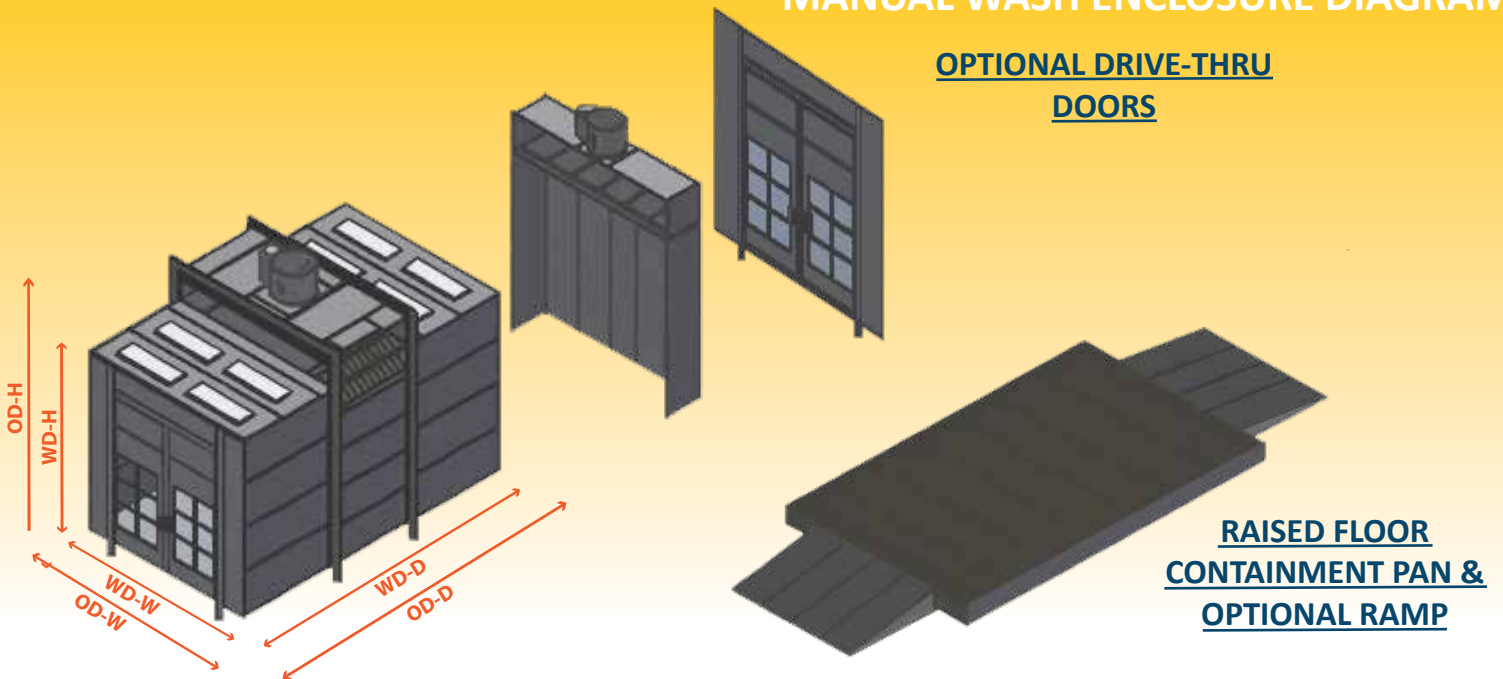
### CUSTOM SOLUTIONS

Rohner Manual Wash Enclosures provide a complete containment solution for your parts cleaning needs. Manual Wash Enclosures protect the environment from harsh cleaning chemicals. That are common to cleaning and pretreatment processes found in many paint shops. The sloped drain pan contains chemical process solutions.

# MANUAL WASH ENCLOSURE SPECIFICATIONS

ROOM DESIGN	STD.	OPT.	ROOM DESIGN	STD.	OPT.
120V/240V Single phase ODP motor with thermal overload protection	✓		1 1/2" Drain fitting with plug	✓	
UL listed manual motor rated 120/240V single phase, 2-pole switch	✓		120V/240V transfer pump, floats and piping		✓
UL 508, NEMA 12 Industrial Control Panel with Non-fused disconnect, motor starter, overloads, and lighting contractor for 208-460V 3-phase applications		✓	Corrosive Resistant construction includes 304 stainless steel construction with fiberglass grating		✓
VFD (Variable Frequency Drive) with NEMA 1 Kit		✓	1000 Gallon Polyethylene Storage Tank		✓
12" Tall galvanized welded containment pan with galvanized grated decking rated for 200 P.S.F.	✓		Raised containment floor product ramps decked with 1/4" plate, rated for 200 P.S.F. & Personnel Door landing		✓
Infloor concrete sump		✓			

## MANUAL WASH ENCLOSURE DIAGRAM



MODEL	Working Dim. (WD)			Overall Dim. (OD)			Exh. Fan Size	Light Fixtures	H.P.	CFM
	W	H	D	W	H	D				
<b>IWE 8' SERIES</b>										
IWE-2100-8-8-9	8'-0"	8'-0"	9'-0"	12'-0"	10'-0"	13'-0"	18"	2	.5	2100
IWE-2100-8-8-12	8'-0"	8'-0"	12'-0"	12'-0"	10'-0"	16'-0"	18"	2	.5	2100
IWE-2100-8-8-15	8'-0"	8'-0"	15'-0"	12'-0"	10'-0"	19'-0"	18"	3	.5	2100
<b>IWE 10' SERIES</b>										
IWE-2100-10-10-9	10'-0"	10'-0"	9'-0"	14'-0"	12'-0"	13'-0"	18"	3	.5	2100
IWE-2100-10-10-12	10'-0"	10'-0"	12'-0"	14'-0"	12'-0"	16'-0"	18"	3	.5	2100
IWE-2100-10-10-15	10'-0"	10'-0"	15'-0"	14'-0"	12'-0"	19'-0"	18"	4	.5	2100
<b>IWE 12' SERIES</b>										
IWE-2100-12-12-9	12'-0"	12'-0"	9'-0"	16'-0"	14'-0"	13'-0"	18"	4	.5	2100
IWE-2100-12-12-12	12'-0"	12'-0"	12'-0"	16'-0"	14'-0"	16'-0"	18"	5	.5	2100
IWE-2100-12-12-15	12'-0"	12'-0"	15'-0"	16'-0"	14'-0"	19'-0"	18"	6	.5	2100

A.C.M. = Air Changes per Min. - Exh. Fan Size for an A.C.M. of 1 every 2 Min.

Specifications and designs are subject to change, and substitutions without notice are at the manufacturer's sole discretion. Customer is responsible for determining the suitability of the equipment for its intended use. Additional equipment or modifications may be required to meet local building and process-specific regulatory codes and are the responsibility of the Customer.



www.rohner-usa.com  
888-885-7641